

GENERAL NOTES:

1. ALL FASTENERS SHALL BE IN ACCORDANCE WITH THESE DRAWINGS. SPECIFIED ANCHOR EMBED TO BASE MATERIAL SHALL BE BEYOND WALL FINISH OR STUCCO.
2. OPENINGS, BUCKING & BUCKING FASTENERS MUST BE PROPERLY DESIGNED & INSTALLED TO TRANSFER WIND LOADS TO THE STRUCTURE.
3. THESE NON-IMPACT RATED PRODUCT INSTALLATIONS ARE IN ACCORDANCE WITH AND MEET THE REQUIREMENTS OF THE FLORIDA BUILDING CODE (FBC).
4. ALL ANCHORS SECURING PRODUCT FRAMES TO PRESSURE TREATED BUCKS OR WOOD FRAMING SHALL BE CAPABLE OF RESISTING CORROSION CAUSED BY THE PRESSURE TREATING CHEMICALS IN THE WOOD.
5. MATERIALS, INCLUDING BUT NOT LIMITED TO STEEL SCREWS, THAT COME INTO CONTACT WITH OTHER DISSIMILAR MATERIALS SHALL MEET THE REQUIREMENTS OF FLORIDA BUILDING CODE CHAPTER 20.
6. TO THE BEST OF OUR KNOWLEDGE, THE PRODUCT SHOWN HEREIN IS CERTIFIED & QUALITY ASSURED BY A FLORIDA STATE APPROVED CERTIFICATION/QA ENTITY & SHALL BE LABELED IN ACCORDANCE WITH THE FBC AND THE FLORIDA DEPARTMENT OF BUSINESS & PROFESSIONAL REGULATION SPECIFICATIONS. PRODUCT ASSEMBLY IS NOT PART OF THIS DRAWING AND SHALL BE IN ACCORDANCE WITH THE MANUFACTURER'S QUALITY ASSURANCE SPECIFICATIONS & TESTING REPORTS.
7. CERTIFICATION OF THESE PRODUCT INSTALLATIONS SHALL BE CONSIDERED VOID IF ANY OF THE FOLLOWING APPLY: 1) PRODUCT IS INSTALLED WITHOUT A BUILDING PERMIT FROM THE APPLICABLE LOCAL BUILDING DEPARTMENT. 2) PRODUCT IS INSTALLED BY ANYONE OTHER THAN A LICENSED CONTRACTOR EXPERIENCED WITH INSTALLATIONS OF THIS TYPE OF PRODUCT. 3) IF CHANGES HAVE OCCURRED TO THE PRODUCT'S CERTIFICATION ENTITY'S CERTIFICATE THAT CAUSE THESE INSTALLATIONS TO BE INCORRECT OR INCONSISTENT WITH WHAT HAS BEEN TESTED.
8. THE LEAST DESIGN PRESSURE SPECIFIED EITHER IN THIS DRAWING OR IN THE PRODUCTS CERTIFICATION SHALL CONTROL FOR THE INSTALLED PRODUCT.
9. THESE DRAWINGS CERTIFY THE PRODUCT INSTALLATION ONLY. WATER PROOFING OF THE INSTALLED PRODUCT IS NOT PART OF THIS INSTALLATION CERTIFICATION. THAT RESPONSIBILITY SHALL BE THAT OF THE MANUFACTURER &/OR INSTALLER.

INSTALLATION EVALUATION IS BASED ON APPLICABLE ANCHOR STANDARDS AND/OR INFORMATION & RESULTS FROM APPLICABLE TEST REPORTS. THE FLORIDA BUILDING CODE VERSION CONSIDERED WITH THE EVALUATION WAS THAT IN FORCE AT THE TIME OF THE EVALUATION. IN THE EVENT OF CODE VERSION CHANGES/UPDATES OR IN THE EVENT THAT NEW OR ADDITIONAL TESTING IS COMPLETED ON THE REFERENCED PRODUCT, PRIOR TO STATING CODE COMPLIANCE WITH THE STATE, THE MANUFACTURER SHALL CONFIRM WITH THE INSTALLATION EVALUATION ENGINEER OF RECORD THAT THE INSTALLATIONS SPECIFIED HERE-IN ARE CURRENT WITH THE THEN CURRENT TESTING, CODE AND APPLICABLE STANDARDS.

ANCHOR/SUBSTRATE EVALUATION NOTE:

ALL ANCHORS IN THEIR SPECIFIED SUBSTRATES HAVE BEEN ANALYZED IN ACCORDANCE WITH THEIR APPLICABLE STANDARD(S) AND ARE FOUND TO BE CAPABLE OF SUPPORTING ALL LOADS IMPOSED ON THEM UNDER THE GUIDELINES OF THIS DOCUMENT. ANY SUBSTRATES OR CONDITIONS OUTSIDE OF WHAT IS SHOWN HERE-IN SHALL BE SUBJECT TO JOB SPECIFIC ENGINEER'S REVIEW & CERTIFICATION.

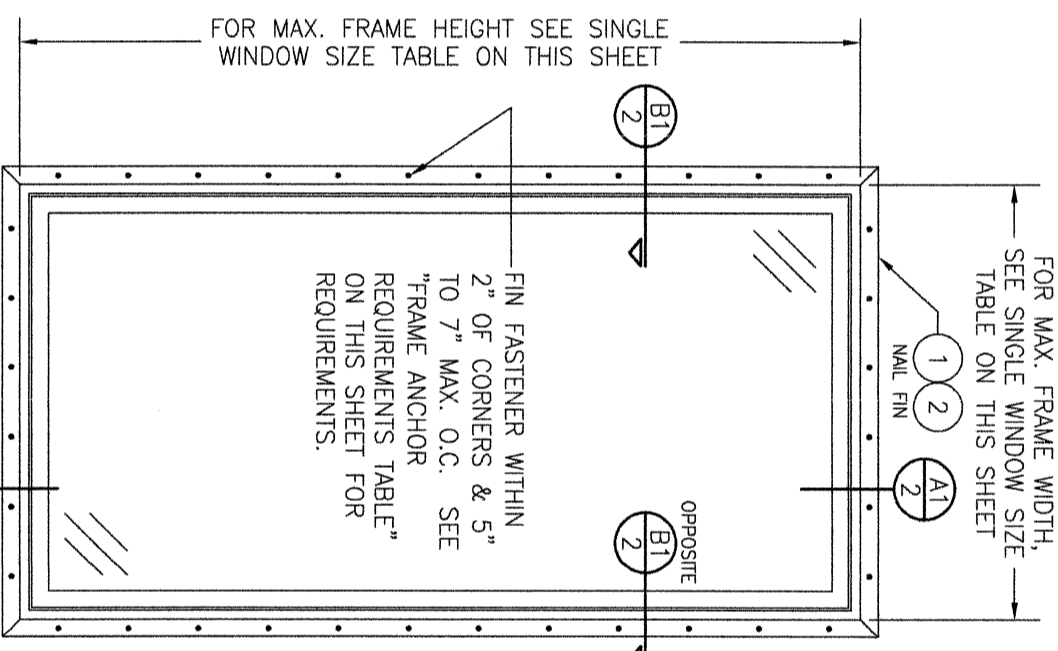
INSTALLATION NOTE:

WHEN NECESSARY, INSTALLATION METHODS MAY BE MIXED WITH ANY ONE WINDOW SUCH THAT INDIVIDUAL SIDES OF THE WINDOW MAY USE ONE OR THE OTHER ANCHOR METHOD (EXAMPLE: SILL MAY USE FRAME SCREWS METHOD WHILE OTHER SIDES USE FIN)

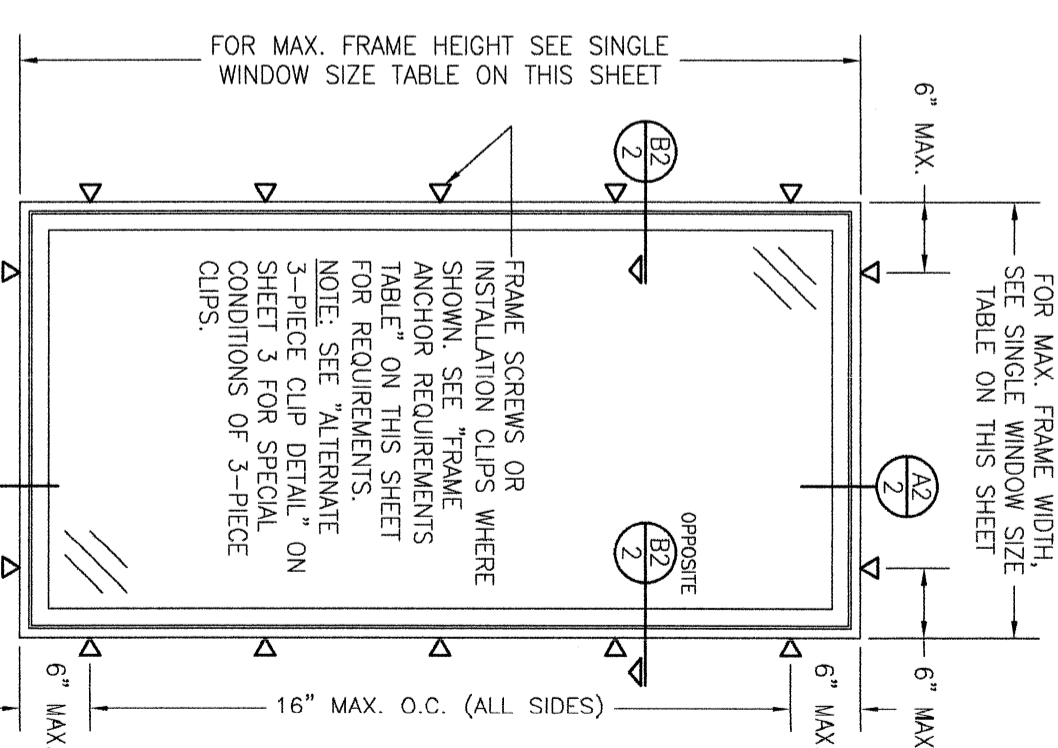
FRAME ANCHOR REQUIREMENTS TABLE

OPENING TYPE (SUBSTRATE)	FRAME/CLIP/NAIL FIN TO OPENING FASTENER TYPE	MINIMUM EMBED	MINIMUM EDGE DIST.
FRAME SCREWS			
MIN. 2X4 WOOD FRAME OR BUCK (MIN. GR. 3 & G=0.55)	NO. 10 SMS OR WOOD SCREW	1 1/4"	3/4"
MIN. 18 GA. 33 KSI METAL STUD	NO. 10 GR. 5 SELF TAP/DRILL SCREW	FULL	1/2"
MIN. 1/8" THK A36 STEEL	NO. 10 GR. 5 SELF TAP/DRILL SCREW	FULL	1/2"
MIN. 1/8" THK 6063-T5 ALUM.	NO. 10 GR. 5 SELF TAP/DRILL SCREW	FULL	1/2"
C-90 CMU/2500 PSI CONCRETE	(1) 1/4" CONCRETE SCREW	1 1/4"	2"
(2) INSTALLATION CLIP SCREWS (BENT & 3-PIECE CLIPS)			
MIN. 2X4 WOOD FRAME OR BUCK (MIN. GR. 3 & G=0.55)	NO. 8 X 1 1/2" SMS	1 3/8"	(2) N/A
MIN. 1/8" THK A36 STEEL	NO. 8 GR. 5 SELF TAP/DRILL SCREW	FULL	(2) N/A
MIN. 1/8" THK 6063-T5 ALUM.	NO. 8 GR. 5 SELF TAP/DRILL SCREW	FULL	(2) N/A
INSTALLATION CLIP SCREWS (STRAIGHT CLIPS)			
MIN. 2X6 WOOD FRAME OR BUCK (MIN. GR. 3 & G=0.55)	NO. 8 X 1 1/2" SMS	1 3/8"	3/4"
MIN. 18 GA. 33 KSI METAL STUD	NO. 8 GR. 5 SELF TAP/DRILL SCREW	FULL	1/2"
MIN. 1/8" THK A36 STEEL	NO. 8 GR. 5 SELF TAP/DRILL SCREW	FULL	1/2"
MIN. 1/8" THK 6063-T5 ALUM.	NO. 8 GR. 5 SELF TAP/DRILL SCREW	FULL	1/2"
(3) NAILING FIN FASTENERS			
MIN. 2X4 WOOD FRAME OR BUCK (MIN. GR. 3 & G=0.55)	NO. 8 X 1 1/2" SMS	1 3/8"	1/2"
MIN. 2X4 WOOD FRAME OR BUCK (MIN. GR. 3 & G=0.55)	11 GA. ROOFING NAIL	1 3/8"	1/2"
MIN. 1/8" THK A36 STEEL	NO. 8 GR. 5 SELF TAP/DRILL SCREW	FULL	1/2"
MIN. 1/8" THK 6063-T5 ALUM.	NO. 8 GR. 5 SELF TAP/DRILL SCREW	FULL	1/2"

EDGE DISTANCE MAY BE DECREASED TO 1/2" IF SCREWS ARE ANGLED 15 TO 20 DEGREES AWAY FROM THE EDGE.



EXTERIOR ELEVATION: SINGLE WINDOW
SCALE: 3/4" = 1'-0"
(NAIL FIN MOUNT CONDITION)



EXTERIOR ELEVATION: SINGLE WINDOW
SCALE: 3/4" = 1'-0"
(FRAME SCREW AND CLIP MOUNT CONDITION)

ALLOWABLE SINGLE WINDOW SIZE VS. PRESSURE TABLE

MAXIMUM FRAME WIDTH (IN.)	MAXIMUM FRAME HEIGHT (IN.)	ALLOWABLE PRESSURE (+/- PSF)
33 1/2	83 3/4	50
37 1/2	75	50
41	68 1/4	50
29 1/4	96	50

CONDITIONS SHOWN IN THIS DRAWING ARE GOVERNED BY INSTALLATION REQUIREMENTS ONLY. THE GOVERNING CONDITIONS ON ANY SPECIFIC WINDOW UNIT SHALL BE THE LESSER OF THOSE SPECIFIED IN THE WINDOWS STATE APPROVAL OR THAT SHOWN IN THESE DRAWINGS.

RECTANGULAR WINDOWS SHOWN TO DEPICT THE FULL WINDOW SURROUND AREA. ANCHORING OF ANGLE SHAPED WINDOWS IS THE SAME WITH REQUIRED ANCHOR SPACING ALONG EACH ANGLED SIDE BEING THE SAME AS SPECIFIED FOR WINDOW SIDES SHOWN.

APPROVED SHAPES

NOTES:
1. OTHER SHAPES MAY APPLY PROVIDING THEY ARE SIMILAR TO THOSE SHOWN
2. ALL SHAPED UNITS MUST FIT INSCRIBED INTO THE RECTANGULAR FRAME DIMENSIONS SPECIFIED & BE GOVERNED BY THE ALLOWABLE PRESSURE OF THE RESPECTIVE SIZE SPECIFIED.

DRAWN BY: W.W.S.	CHECKED BY: W.W.S.		
DATE: 01/20/20			
NO.	REVISION DESCRIPTION	BY	DATE
A1	ADDED NEW INSTALL CLIP OPTION	W.W.S.	06/05/24

PELLA CORPORATION
102 MAIN STREET
PELLA, IA 50219
641-621-1000

PELLA CONTEMPORARY NON-IMPACT CLAD SHAPED CASEMENT WINDOWS

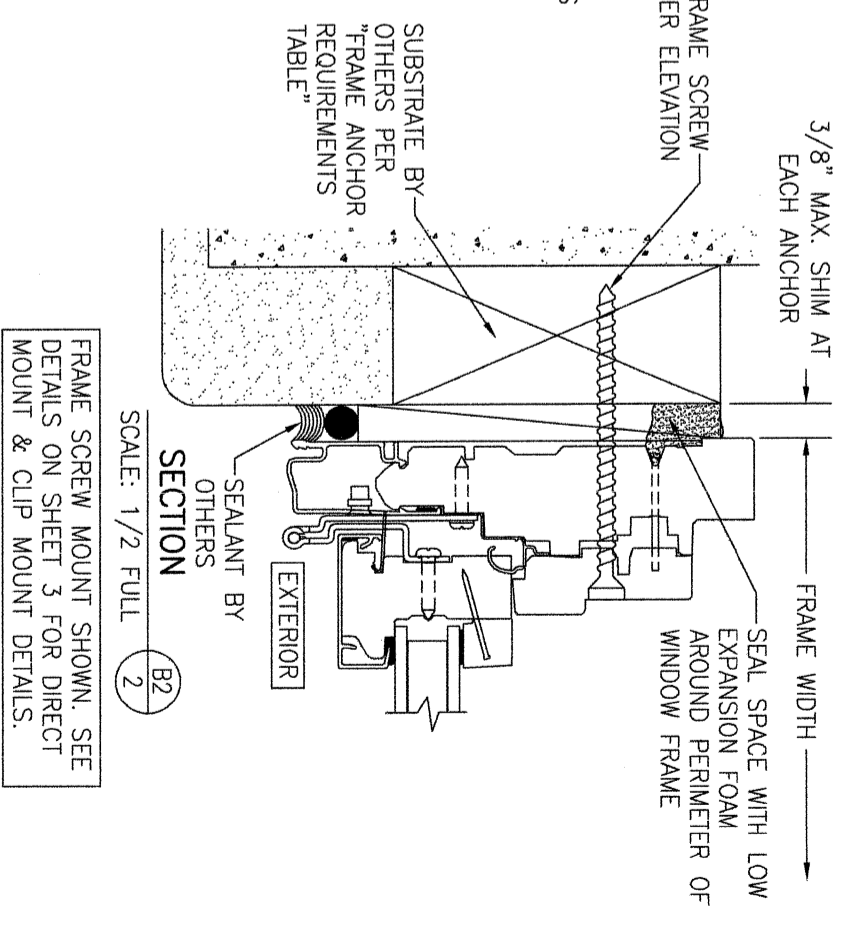
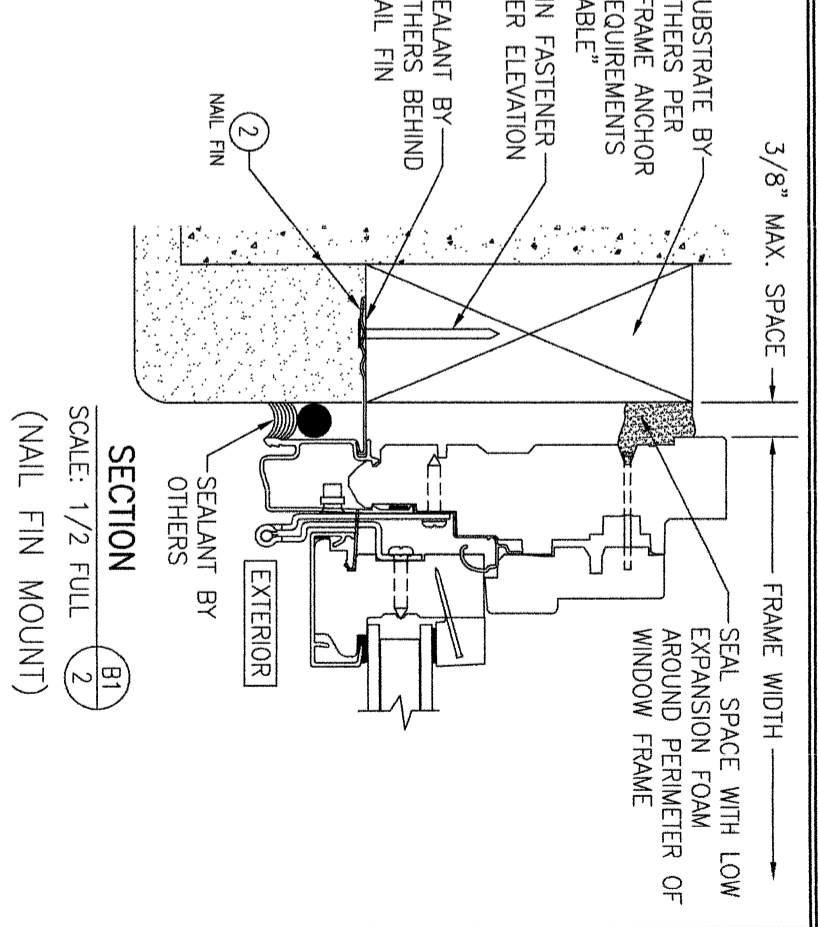
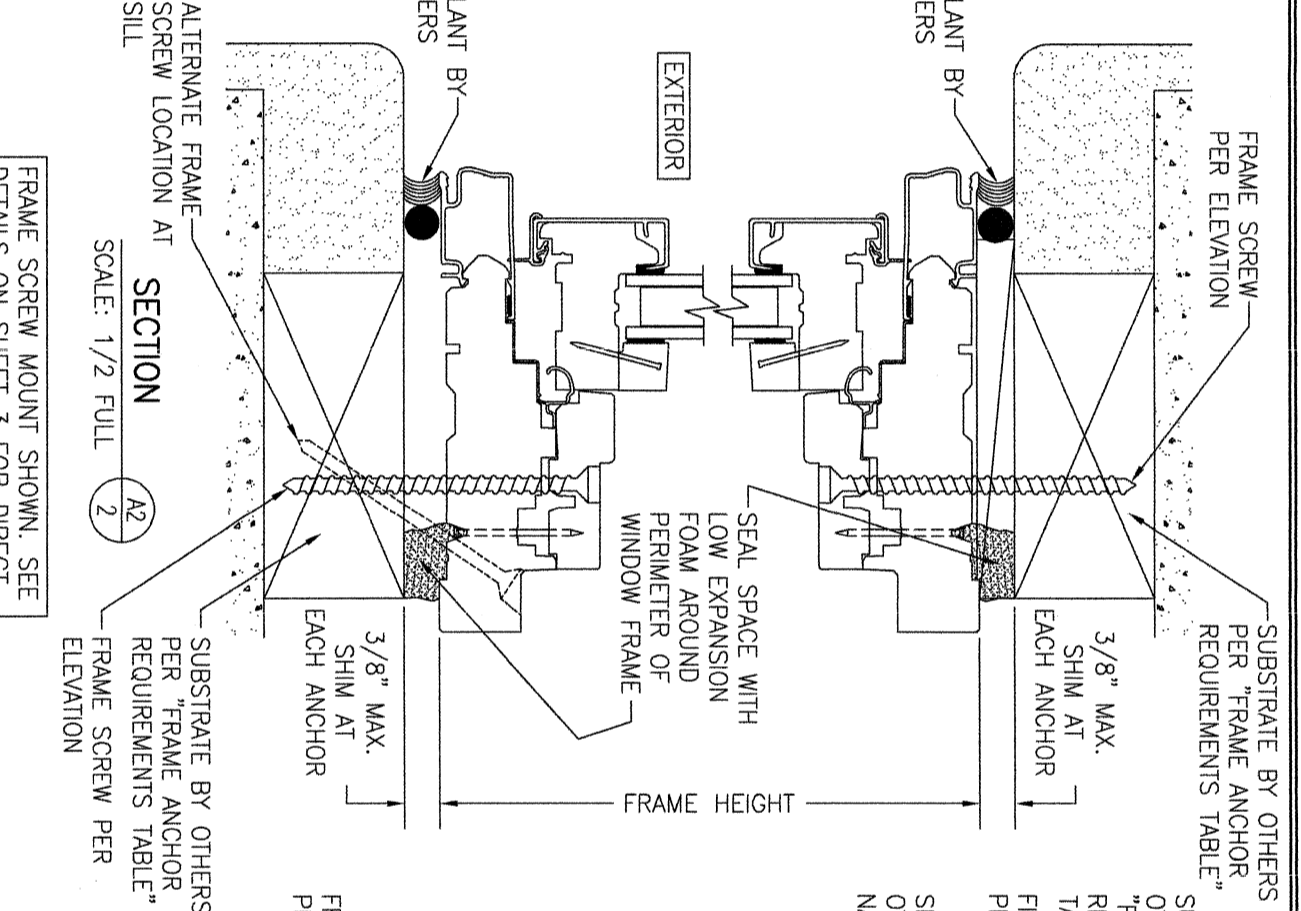
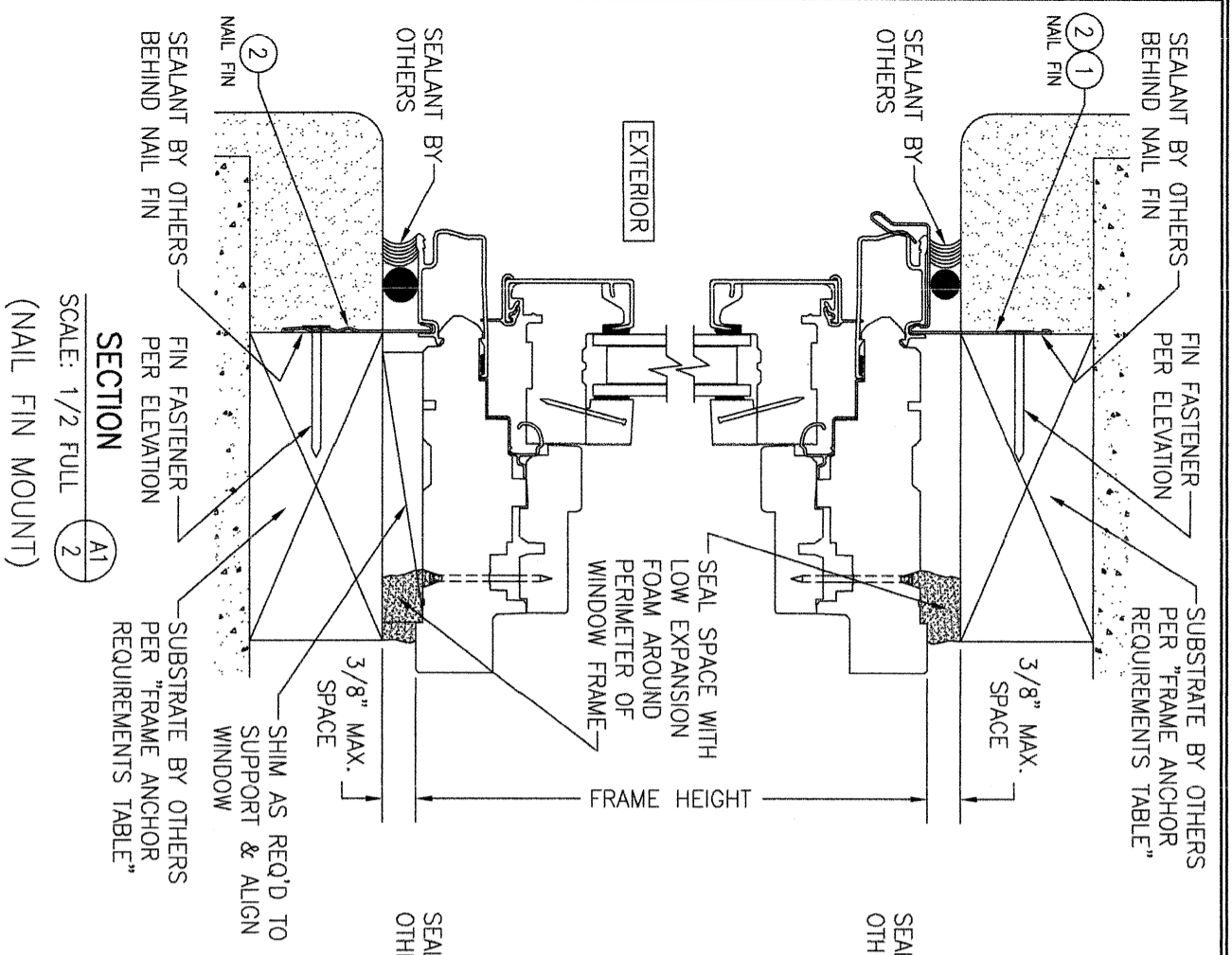
CONSULTANTS
W. W. SCHAEFER ENGINEERING & CONSULTING, P.A.
25601 AYSEN DRIVE
PUNTA GORDA, FL 33983
PHONE: 561-744-3424

MANUFACTURER
PELLA CORPORATION

CERTIFICATION

WARREN W. SCHAEFER, P.E.
P.E. NO. 44135

DRAWINGS NO. 1972
SHEET NO. 1 OF 4



FRAME SCREW MOUNT SHOWN. SEE DETAILS ON SHEET 3 FOR DIRECT MOUNT & CLIP MOUNT DETAILS.

FRAME SCREW MOUNT SHOWN. SEE DETAILS ON SHEET 3 FOR DIRECT MOUNT & CLIP MOUNT DETAILS.

NO.	REVISION DESCRIPTION	BY	DATE
1-2			

DRAWING TITLE
PELLA CONTEMPORARY NON-IMPACT CLAD SHAPED CASEMENT WINDOWS

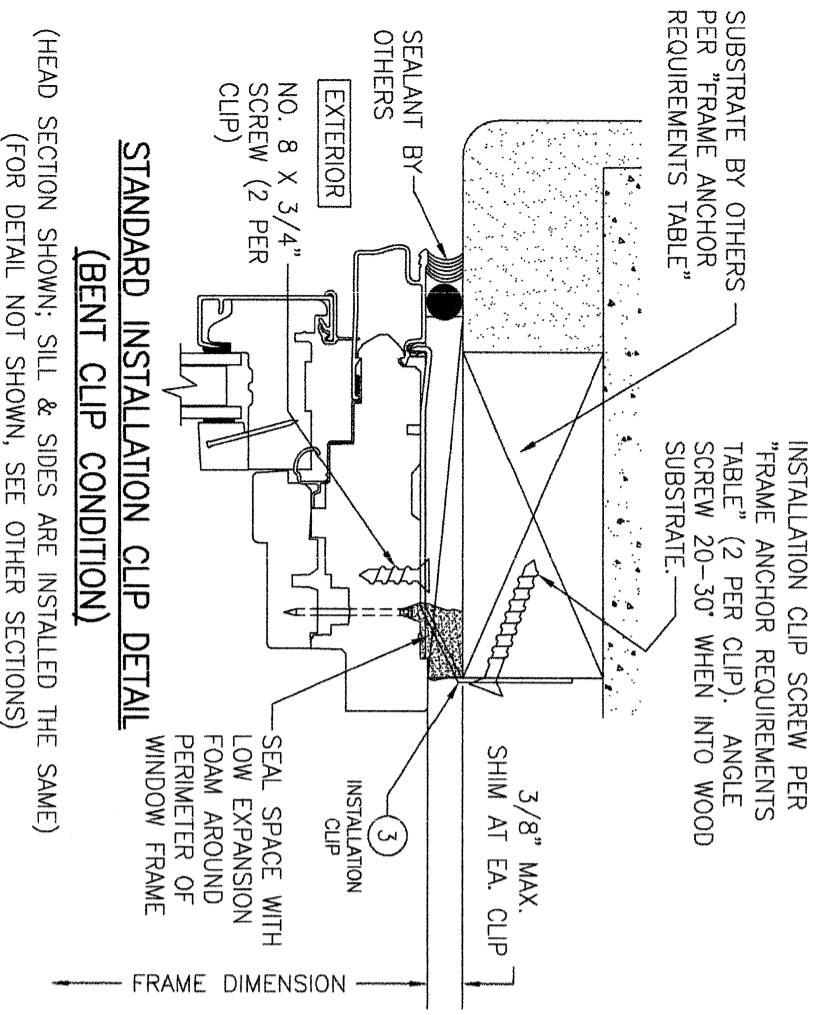
CONSULTANTS
W. W. SCHAEFER ENGINEERING & CONSULTING, P.A.
 25601 AYSEN DRIVE
 PUNTA GORDA, FL 33983
 PHONE: 561-744-3424

MANUFACTURER
PELLA CORPORATION
 102 MAIN STREET
 PELLA, IA 50219
 641-621-1000

CERTIFICATION
 WARREN W. SCHAEFER, P.E.
 P.E. NO. 44135

DRAWING NO.
 1972
REV.
 A

SHEET NO.
 2 OF 4



(HEAD SECTION SHOWN; SILL & SIDES ARE INSTALLED THE SAME)
(FOR DETAIL NOT SHOWN, SEE OTHER SECTIONS)

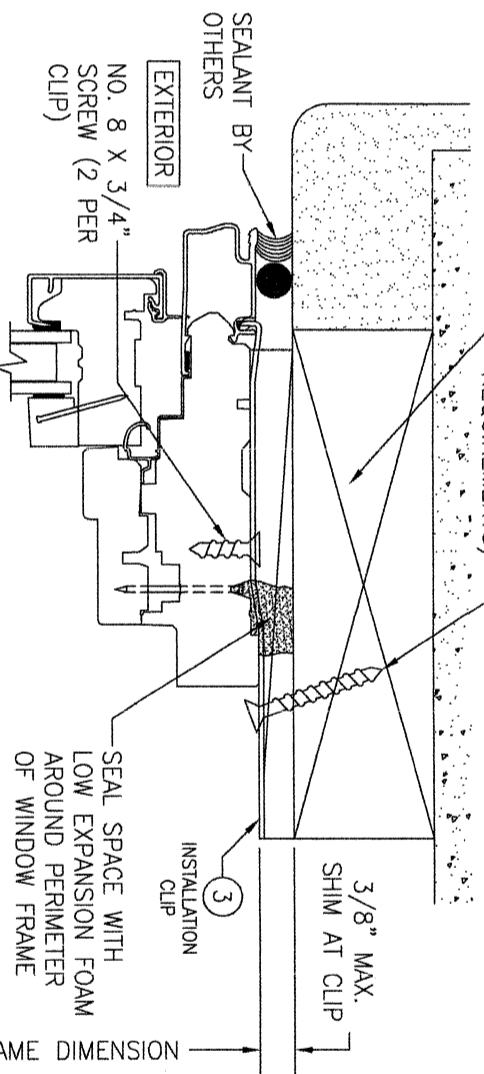
**STANDARD INSTALLATION CLIP DETAIL
(BENT CLIP CONDITION)**

INSTALLATION CLIP SCREW PER "FRAME ANCHOR REQUIREMENTS TABLE" (2 PER CLIP). ANGLE SCREW 20-30° WHEN INTO WOOD SUBSTRATE.

SEALANT BY OTHERS
NO. 8 X 3/4" SCREW (2 PER CLIP)
SEAL SPACE WITH LOW EXPANSION FOAM AROUND PERIMETER OF WINDOW FRAME
3/8" MAX. SHIM AT EA. CLIP
INSTALLATION CLIP
EXTERIOR

FRAME DIMENSION

INSTALLATION CLIP SCREW PER "FRAME ANCHOR REQUIREMENTS TABLE" (2 PER CLIP ANGLED 15 TO 20 DEGREES IF NECESSARY TO MEET EDGE DISTANCE REQUIREMENTS)



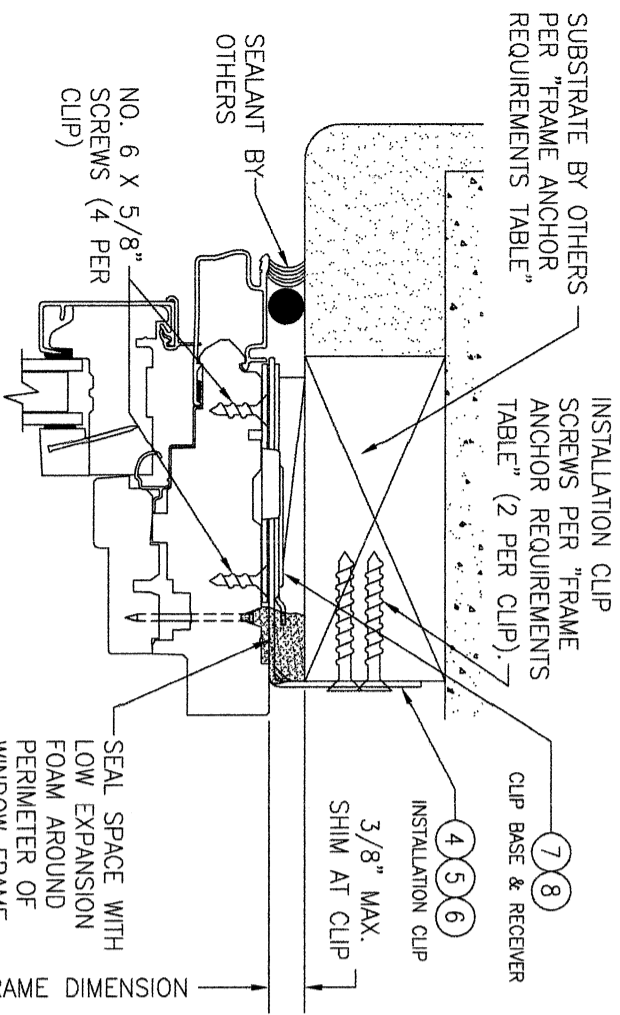
(HEAD SECTION SHOWN; SILL & SIDES ARE INSTALLED THE SAME)
(FOR DETAIL NOT SHOWN, SEE OTHER SECTIONS)

**ALTERNATE INSTALLATION CLIP DETAIL
(STRAIGHT CLIP CONDITION)**

SEALANT BY OTHERS
NO. 8 X 3/4" SCREW (2 PER CLIP)
SEAL SPACE WITH LOW EXPANSION FOAM AROUND PERIMETER OF WINDOW FRAME
3/8" MAX. SHIM AT CLIP
INSTALLATION CLIP
EXTERIOR

FRAME DIMENSION

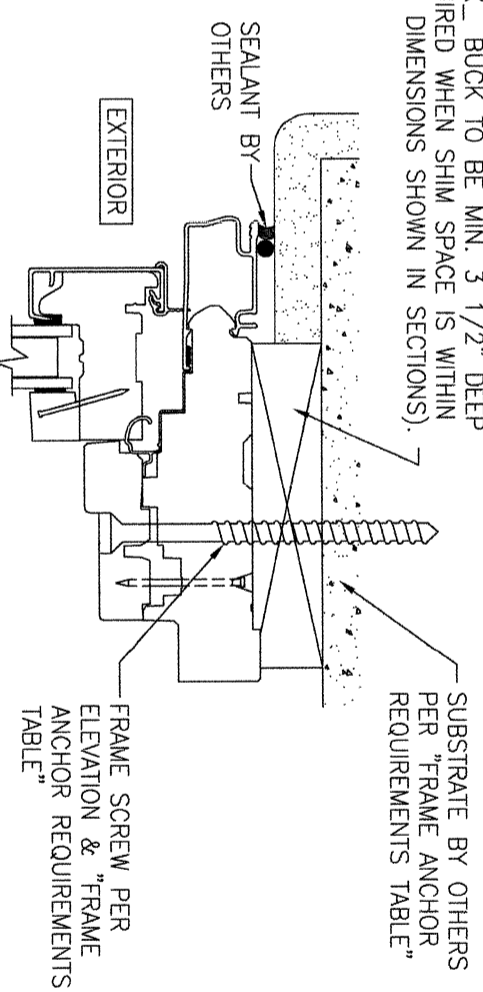
SUBSTRATE BY OTHERS PER "FRAME ANCHOR REQUIREMENTS TABLE"



ALTERNATE 3-PIECE INSTALLATION CLIP DETAIL
(HEAD SECTION SHOWN; SILL & SIDES ARE INSTALLED THE SAME)
(FOR DETAIL NOT SHOWN, SEE OTHER SECTIONS)

NOTE: 3-PIECE CLIPS MAY ACT AS SPOT OR FULL REPLACEMENTS OF EITHER THE FRAME SCREWS, STANDARD BENT CLIPS OR STRAIGHT CLIPS. THEREFORE, ANY ONE OR ALL OF THE FRAME SCREWS/CLIPS SPECIFIED IN THE ELEVATION(S) MAY BE REPLACED WITH 3-PIECE CLIPS.

CONTINUOUS WOOD MEMBER LESS IN THICKNESS THAN A 2X. BUCK TO BE MIN. 3 1/2" DEEP (NOT REQUIRED WHEN SHIM SPACE IS WITHIN ALLOWABLE DIMENSIONS SHOWN IN SECTIONS).



(HEAD SECTION SHOWN; SILL & SIDES ARE INSTALLED THE SAME)
(FOR DETAIL NOT SHOWN, SEE OTHER SECTIONS)

**OPTIONAL DIRECT MOUNT DETAIL
TO SUBSTRATE WITH SPACER**

CERTIFICATION

WARREN W. SCHAEFER, P.E.
P.E. NO. 44135

DRAWING TITLE
PELLA CONTEMPORARY NON-IMPACT CLAD SHAPED CASEMENT WINDOWS

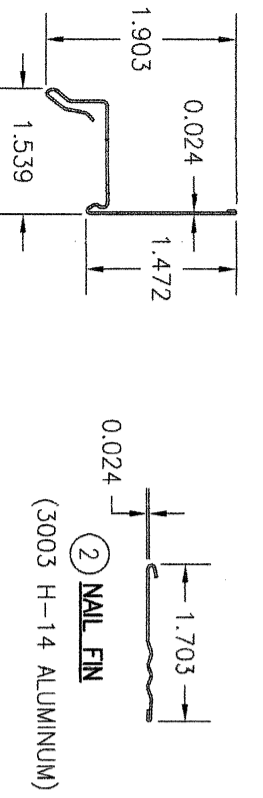
CONSULTANTS
W. W. SCHAEFER ENGINEERING & CONSULTING, P.A.
25601 AYSEN DRIVE
PUNTA GORDA, FL 33983
PHONE: 561-744-3424

MANUFACTURER
PELLA CORPORATION
102 MAIN STREET
PELLA, IA 50219
641-621-1000



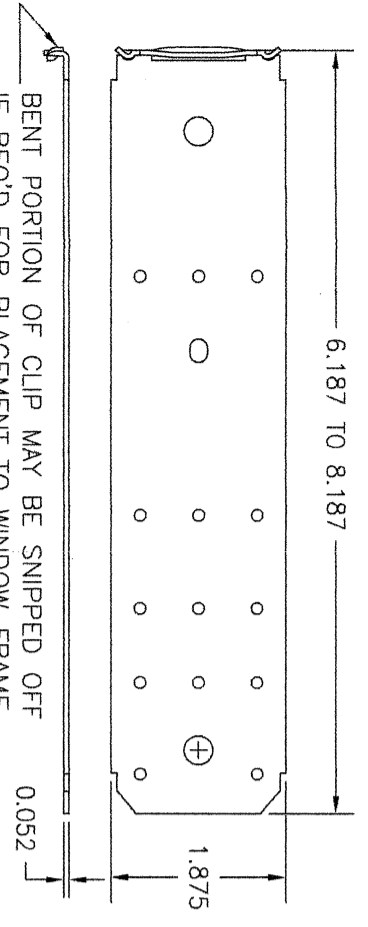
NO.	REVISION DESCRIPTION	BY	DATE	DRAWN BY:	CHECKED BY:
1-2			01/20/20	W.M.S.	W.M.S.

DRAWING NO. 1972
SHEET NO. 3 OF 4

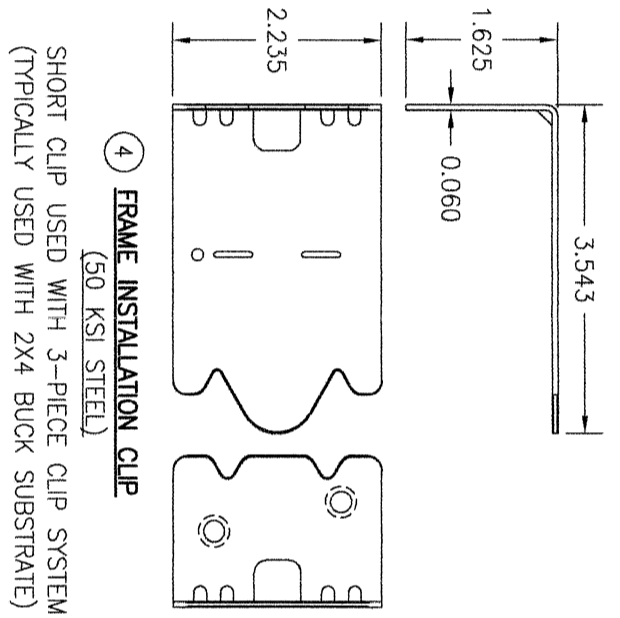


① DRIP CAP NAIL FIN
(3003 H-14 ALUMINUM)

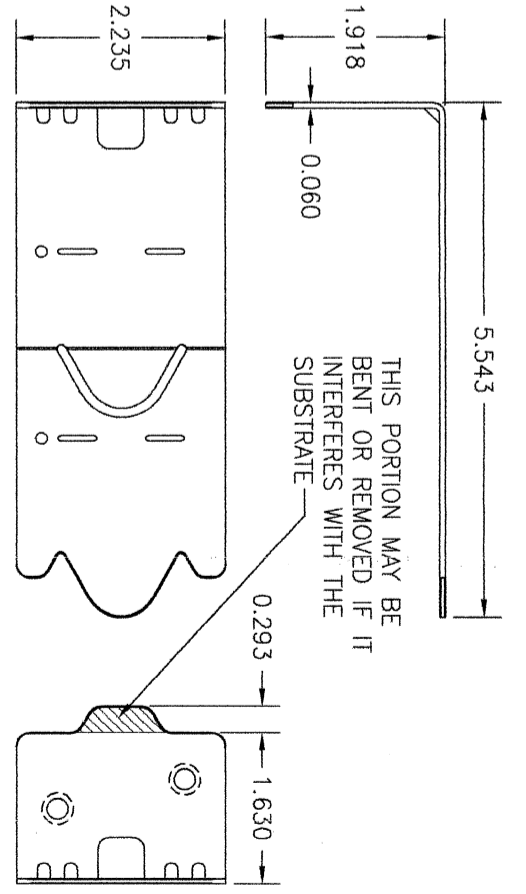
② NAIL FIN
(3003 H-14 ALUMINUM)



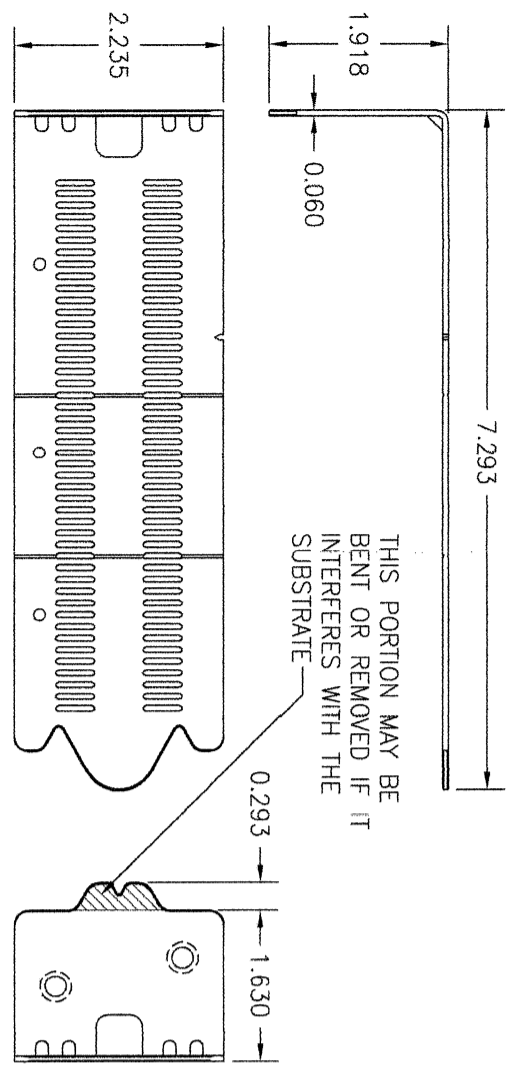
③ FRAME INSTALLATION CLIP
(50 KSI STEEL)



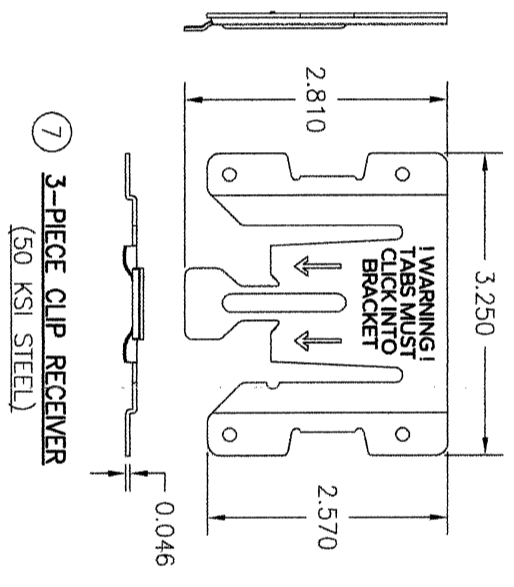
④ FRAME INSTALLATION CLIP
(50 KSI STEEL)
SHORT CLIP USED WITH 3-PIECE CLIP SYSTEM
(TYPICALLY USED WITH 2X4 BUCK SUBSTRATE)



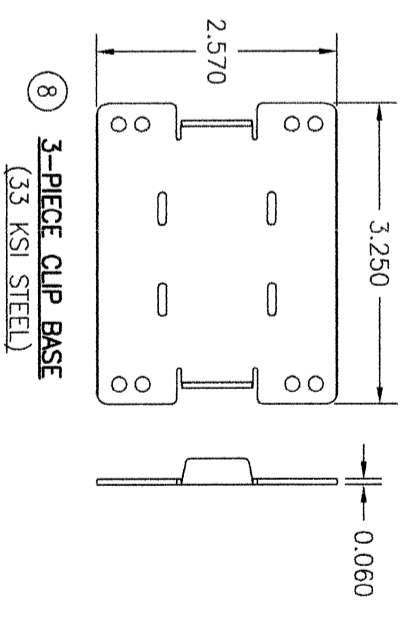
⑤ FRAME INSTALLATION CLIP
(50 KSI STEEL)
LONG CLIP USED WITH 3-PIECE CLIP SYSTEM
(TYPICALLY USED WITH 2X6 BUCK SUBSTRATE,
BUT MAY ALSO BE USED WITH 2X4)



⑥ FRAME INSTALLATION CLIP
(50 KSI STEEL)
ADJUSTABLE CLIP USED WITH 3-PIECE CLIP SYSTEM



⑦ 3-PIECE CLIP RECEIVER
(50 KSI STEEL)



⑧ 3-PIECE CLIP BASE
(33 KSI STEEL)

NO.	REVISION	DESCRIPTION	BY	DATE
1-2				01/20/20

DRAWING TITLE
PELLA CONTEMPORARY NON-IMPACT CLAD SHAPED CASEMENT WINDOWS

CONSULTANTS
W. W. SCHAEFER ENGINEERING & CONSULTING, P.A.
25601 AYSEN DRIVE
PUNTA GORDA, FL 33983
PHONE: 561-744-3424

MANUFACTURER
PELLA CORPORATION
102 MAIN STREET
PELLA, IA 50219
641-621-1000

CERTIFICATION
WARREN W. SCHAEFER, P.E.
P.E. NO. 44135

DRAWING NO. 1972
REV. A
SHEET NO. 4 OF 4